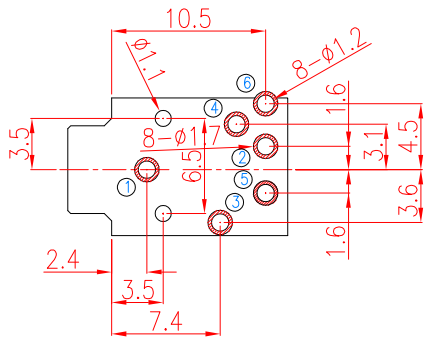
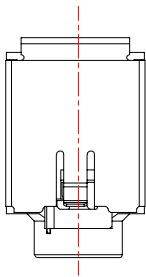


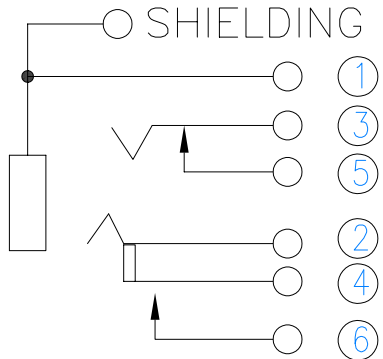
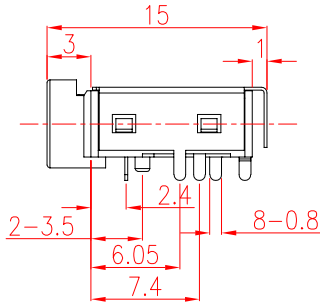
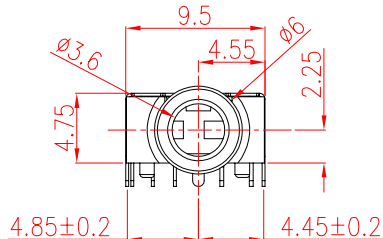
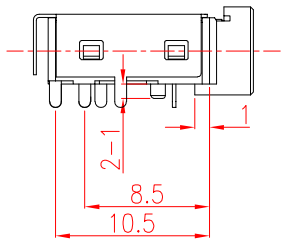
FOR REFERENCE ONLY

RoHS Compliant

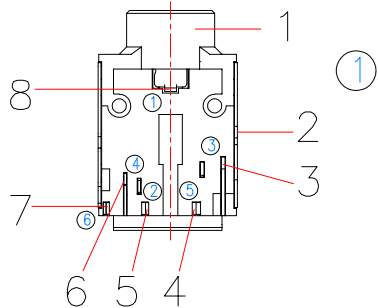
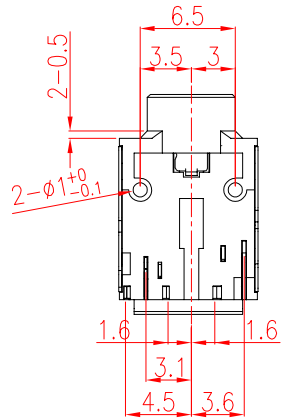
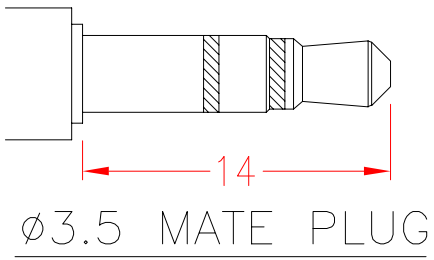
SYMB	REVISION	DATE	APVD.



PCB LAYOUT (TOP VIEW)



SCHEMATIC



TITLE	PHONE JACK(STEREO)	DRAWN	J.Pang	TOLERANCE OTHERWISE UNLESS SPECIFIED		8	TERMINAL 6	C5210	1	Au:0.3U" Max Ni:0.76um Min
PART NO.	XB-ST-3553	CHECKED	G.C.Chen	UP TO 5	±0.2	7	TERMINAL 5	C5210	1	Au:0.3U" Max Ni:0.76um Min
DRAW NO.		APPROVED	H.K.Lai	ABOVE 5 ~ 30	±0.3	6	TERMINAL 4	C5210	1	Au:0.3U" Max Ni:0.76um Min
SCALE	1:1	UNIT	mm	DATE	09-05-2011	5	TERMINAL 3	C5210		Au:0.3U" Max Ni:0.76um Min
						4	TERMINAL 2	C2680	1	Au:0.3U" Max Ni:0.76um Min
						3	TERMINAL 1	C5210	1	Au:0.3U" Max Ni:0.76um Min
						2	SHIELD	C5191	1	Ni:2um Min
						1	HOUSING	PA9T	1	BLACK
						NO.	PARTS	MATERIAL	QTY.	FINISHING

